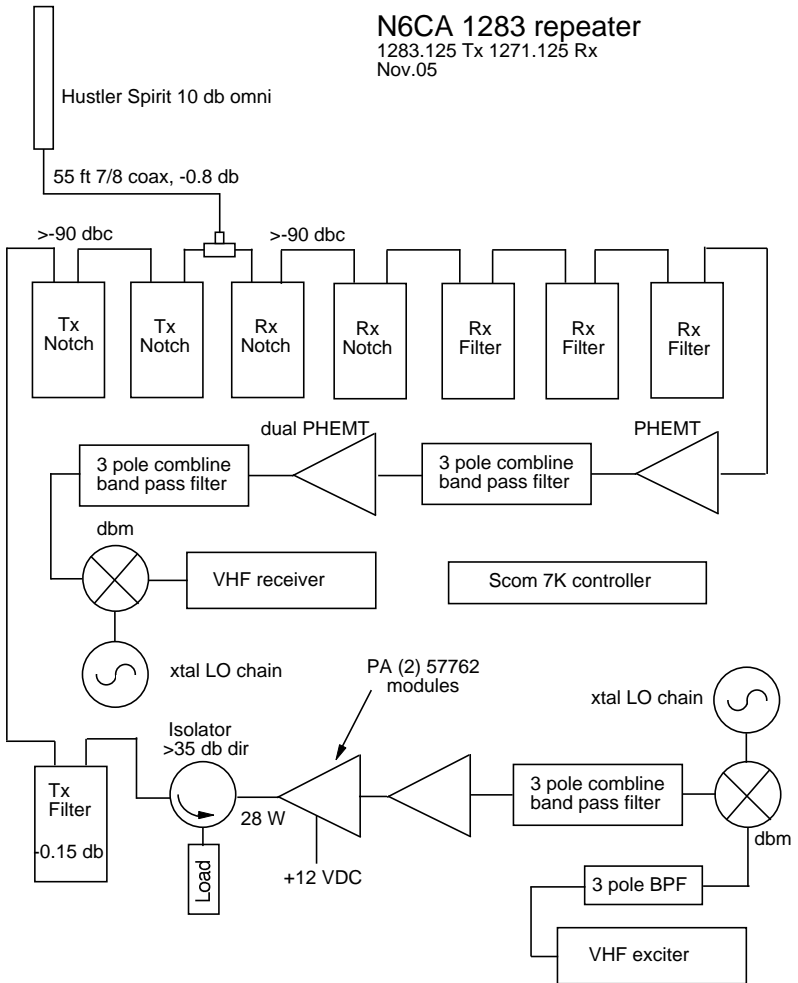


N6CA 1283 repeater

1283.125 Tx 1271.125 Rx

Nov.05



N & SMA connectors used throughout.

Male connectors are Silver crimp N with Gold pins, RG142 coax cable

Tx filter eliminates out of band sigs beyond directivity BW limit of isolator

see: <http://www.ham-radio.com/n6ca> fo repeater construction details